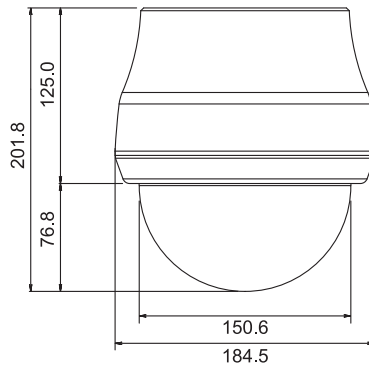


CT-275/335(W)/375(W)/ 276/ 336(W)/376(W)

PTZ

High Speed Dome Camera

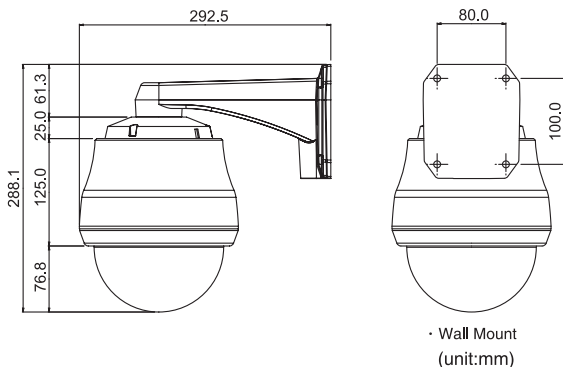


▲ Wall Mount Type

[Features]

- **Superior Zoom Camera**
 - X324 Zoom Control (Optical X27, Digital X12) : CT -275/276
 - X396 Zoom Control (Optical X33, Digital X12) : CT -335/336
 - X444 Zoom Control (Optical X37, Digital X12) : CT -375/376
 - Horizontal Resolution : 550TVL (Color), 680TVL (B/W)
 - True Day & Night for clear image 24 hours
 - DNR for saving storage
 - WDR (Wide Dynamic Range) : CT -335W/336W/375W/376W
 - HLC (High Light Compensation) / DIS (Digital Image Stabilization)
- **Fast & Silent Motion**
 - No Accumulative Error with Preset Function
 - Shortest Path by Vector Drive Technology
 - High Accuracy with Micro-Stepping Control Technology
 - Smooth Motion at High Zoom Magnification Mode
 - Lightning Speed (MAX, 360°/sec) & Smooth Manual Speed (MIN, 0.05°/sec)
 - Lowest Noise & Lowest Vibration
 - Endless 360° Pan Rotation
- **Powerful Functions**
 - Independent Preset Parameter Setup (AE, WB and etc.)
 - 128 Preset Positions with Alphanumeric Labels
 - 4 Pattern, 8 Swing and 8 Group Functions
 - Private Masking (8 zones)
 - Auto Flip, Auto Parking, Power-up Action
 - Frame Freeze Function
 - On-Screen Display On/Off
 - Small Size / Weatherproof Structure / IP67
 - Vandal-Proof (Dome Cover : PC / Housing & Accessories : AL)
 - Built-in Sensor In/Out : 3 In / 1 Out Optional
 - H.264 IP Network Support Optional
 - Built-in Fan & Heater (CT-276/336/376 Model Only)

[Dimensions]



[Specifications]

ITEM	NTSC	PAL
Image Sensor	Sony 1/4" Interline Transfer CCD	
Effective Pixel	380K Pixels [768(H) x 494(V)]	440K Pixels [752(H) x 582(V)]
H. Resolution	550 TV Lines (Color) / 680 TV Lines (B/W)	
S/N Ratio	50dB (AGC Off)	
Zoom	X27 Optical Zoom and X12 Digital Zoom : CT -275/276 X33 Optical Zoom and X12 Digital Zoom : CT -335/336 X37 Optical Zoom and X12 Digital Zoom : CT -375/376	
Focal Length	f=3.5 ~ 94.5 mm / F1.6 ~ 2.9 : CT -275/276 f=3.5 ~ 115.5 mm / F1.6 ~ 3.6 : CT -335/336 f=3.5 ~ 129.5 mm / F1.6 ~ 3.9 : CT -375/376	
Angle of View	H:55.5°(Wide)~2.24°(Tele) V:42.5°(Wide)~1.79°(Tele) : CT -275/276 H:55.5°(Wide)~1.77°(Tele) V:42.5°(Wide)~1.33°(Tele) : CT -335/336 H:55.5°(Wide)~1.59°(Tele) V:42.5°(Wide)~1.19°(Tele) : CT -375/376	
Zoom Speed	1.8 sec. (Wide to Tele) : CT -275/276 2.2 sec. (Wide to Tele) : CT -335/336 2.5 sec. (Wide to Tele) : CT -375/376	
MIN. Illuminance	Day : 0.4Lux(DSS Off, F1.6, 50IRE) / Night : 0.02Lux(F1.6, 50IRE)	
Day & Night	Auto / Day / Night (IR Cut Filter)	
Focus	Auto / Manual / Semi-Auto	
Iris	Auto / Manual	
Shutter Speed	x256 ~ 1/120000 sec	
AGC	Low / Middle / High / Manual / Off	
White Balance	Auto / Manual (Red & Blue Gain Adjustable, 1,800°K~10,500°K)	
BLC	BLC / HLC / Off	
Flickerless	Selectable	
DNR	Low / Middle / High / Off	
Privacy Mark	8 Masks with Spherical Coordinates	
Image Stabilization	On / Off	
Range	Pan : 360°(Endless) / Tilt : 90°	
Pan/Tilt Speed	Preset : 360°/ sec Manual : 0.05°~ 360°/ sec (Zoom Proportional) Swing : 1°~ 180°/ sec	
Preset	128 Presets with Labels / Independent Preset Parameter Setup	
Pattern	4 Patterns (Approx. 5 Minutes for Each Pattern)	
Swing	8 Swings	
Group	8 Groups (MAX. 20 Entries for Each Group)	
Other Functions	Auto Flip, Auto Parking, Power-up Action & etc.	
Communication	RS-485	
Protocol	Pelco-D, Pelco-P Selectable	
OSD	English On / Off	
Dimension	Dome : Φ150 mm / Φ5.9" Housing : 192(Φ) x 190.3(H) mm / 7.6"(Φ) x 7.5"(H)	
Weight	Approx. 3 Kg / 6.6 lbs (Without Bracket)	
Material	Dome : Poly Carbonate / Housing : Aluminum	
Environment	CT-275 / 335 / 375 : Indoor CT-276 / 336 / 376 : Outdoor	
Fan & Heater (CTSD-276/336/376)	Built-in Fan : Always On Heater : On below Internal Temperature 10°C / 50°F	
Operating Temp.	CT-275 / 335 / 375 : 0°C ~ 40°C / 32°F ~ 104°F CT-276 / 336 / 376 : -30°C ~ 50°C / -22°F ~ 122°F	
Power	CT-275 / 335 / 375 : AC 24V / 0.4A CT-276 / 336 / 376 : AC 24V / 1.5A	
Sensor In/Out Network	3 Inputs (Photo Coupler Type) / 1 Output (Relay Type) H.264 IP Network Support Optional	