

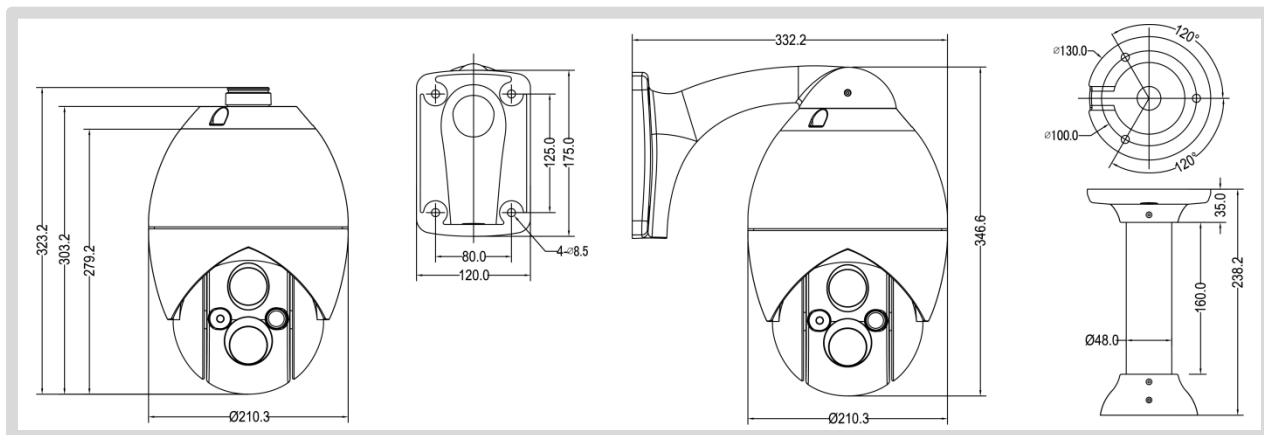
TN-P3220CTIR

“1080p30, x20 Zoom IP PTZ Camera”



- 1/3" Progressive scan CMOS
- Max. 30fps @ 1920 x 1080
- x20 Optical Zoom, x12 Digital Zoom
- 1.5Lux(color), 0.1Lux(B/W) with 50IRE
- **Quad Streaming (H.264/H.264, H.264/MJPEG)**
- True Day & Night(ICR)
- RS-485 Communication, Pelco D or Pelco P Protocol
- Motion Detection for Instant Alarm & Recording
- Two Way Audio Communication (G.711/AAC)
- ONVIF, PSIA Compliant
- SD Card, FTP Recording
- PoE(Power over Ethernet) : 802.3at
- Adjustable Video Bitrate : 32Kbps ~ 16Mbps for Primary Video, 32Kbps ~ 4Mbps for Secondary Video
- Fast & Smooth Motion with 360° Pan Rotation
- Max. 128 Presets, Max. 8 Swings, Max. 4 Patterns, Max. 8 Groups Function, Privacy Mask Function
- Vandal-Proof & IP66
- WDR (Wide Dynamic Range), BLC (Back Light Compensation)
- Auto Parking / Power Up Action function

Dimension



Specification

section		TN-P3220CTIR
Camera	Image sensor	1/3" Progressive scan CMOS
	Zoom	Optical x20, Digital x8
	Focal length	f= 4.45 ~ 89mm
	Maximum aperture ratio	F1.6 ~ F2.9
	Angle of view	Horizontal : 55.56°(wide) ~ 3.10°(tele) Vertical : 43.32°(wide) ~ 2.34°(tele)
	Minimum illumination	1.5 Lux (color), 0.1 Lux (B/W) with 50 IRE
	Electronic shutter speed	1/30 ~ 1/30,000 sec
	Privacy masking	8 regions
	Flip mode	Horizontal, Vertical
	Image enhancement	AF, AE, AWB, AGC, TDN, DNR, WDR, BLC, HLC, DSS, EIS, VA
	IR LED	2pieces, 150m (zoom proportional)
Video	Compression	H.264, MJPEG
	Frame rate	Max 30fps @ 1920x1080
	Bitrate	Primary : 32Kbps ~ 16Mbps, Secondary : 32Kbps ~ 4Mbps
	Resolutions	352x240 ~ 1920x1080
	Streaming	Primary : H.264, Secondary x 3 : H.264/MJPEG
	Burn-in OSD	Multi-lingual
	Output	Composite
Audio	Compression	G.711 / AAC
	Sampling rate	G.711 : 8KHz, AAC : 32KHz
	Bitrate	G.711 : 64Kbps, AAC: 64Kbps/128Kbps
	Streaming	Full duplex
	Input/Output	1 x Line-In (mono, RCA type), 1 x Line-Out (mono, RCA type)
PTZ control	Operating angle	Horizontal: 360°, Vertical: 90°
	Speed	Continuous(Jog) move speed: 0.1° ~ 180°/sec (not zoom propotional) Position move speed: 0.1° ~ 110°/sec (not zoom propotional)
	PTZ functionalities	Preset (128), Pattern (4), Swing (8), Group (8), Auto parking
Network	Interface	Ethernet 10/100base-T (RJ-45)
	Protocol	IPv4/v6, TCP, UDP, IGMP(Multicast), ICMP, DHCP, HTTP, HTTPS, RTP, RTSP, FTP, SNMP, SMTP, UPnP, WS-Discovery, Zero Configuration, NTP, DDNS
	Security	Password protection, IP address filtering, HTTPS encryption
	Application programming interface	Truen protocol/SDK, ONVIF, PSIA, MPEG-TS
Event and Alarm	Event sources	Motion, Sensor input, Client disconnection
	Event actions	Notification(E-mail), FTP, PTZ preset, Alarm control, Recording
General	Housing	IP66
	Certifications	CE, FCC, KC, RoHS
	External devices	4 x Sensor-In (dry contact, NO/NC) 2 x Alarm-Out (dry contact, NO) 1 x RS-485 port: Direct PTZ control etc.
	Edge storage	SD/SDHC
	Power supply	Min DC12V/TBD, Min AC24V/2.5A
	Power consumption	DC12V : Max TBD, AC24V : Max 48W
	Operating condition	-10°C ~ 50°C (14°F ~ 122°F) / 20% ~ 80% RH
	Dimension	Dome : Ø210 x 323.2mm/ Ø 6.1"
	Weight	TBD